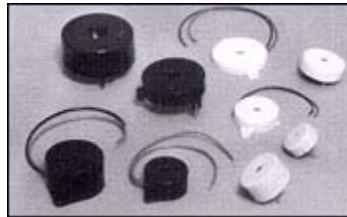


**PIEZO ELECTRIC ALARM WITH INTERNAL CIRCUITRY**



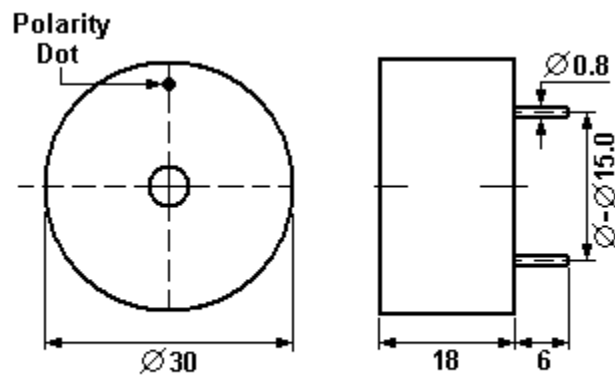
**ROHS COMPLIANT**

**PART NUMBER:**  
**BRP3018P-12-C**

**SPECIFICATIONS:**

RATED VOLTAGE:	12 VDC
OPERATING VOLTAGE:	3 ~ 15 VDC
MAX CURRENT:	10 mA
SOUND OUTPUT LEVEL:	90dB @30CM
TERMINAL TYPE:	2 PINS
RESONANT FREQUENCY:	2000 ± 500 Hz
OPERATING TEMPERATURE:	-10 TO +60 °C
TONE MODE:	CONTINUOUS
FRAME DIAMETER:	30.0 mm
FRAME DEPTH:	18.0 mm
MOUNTING DIMENSIONS:	15.0 mm

**DIMENSIONS:**



**Weight: 10.5 gms**